

Solid State Counter-Drone Radar

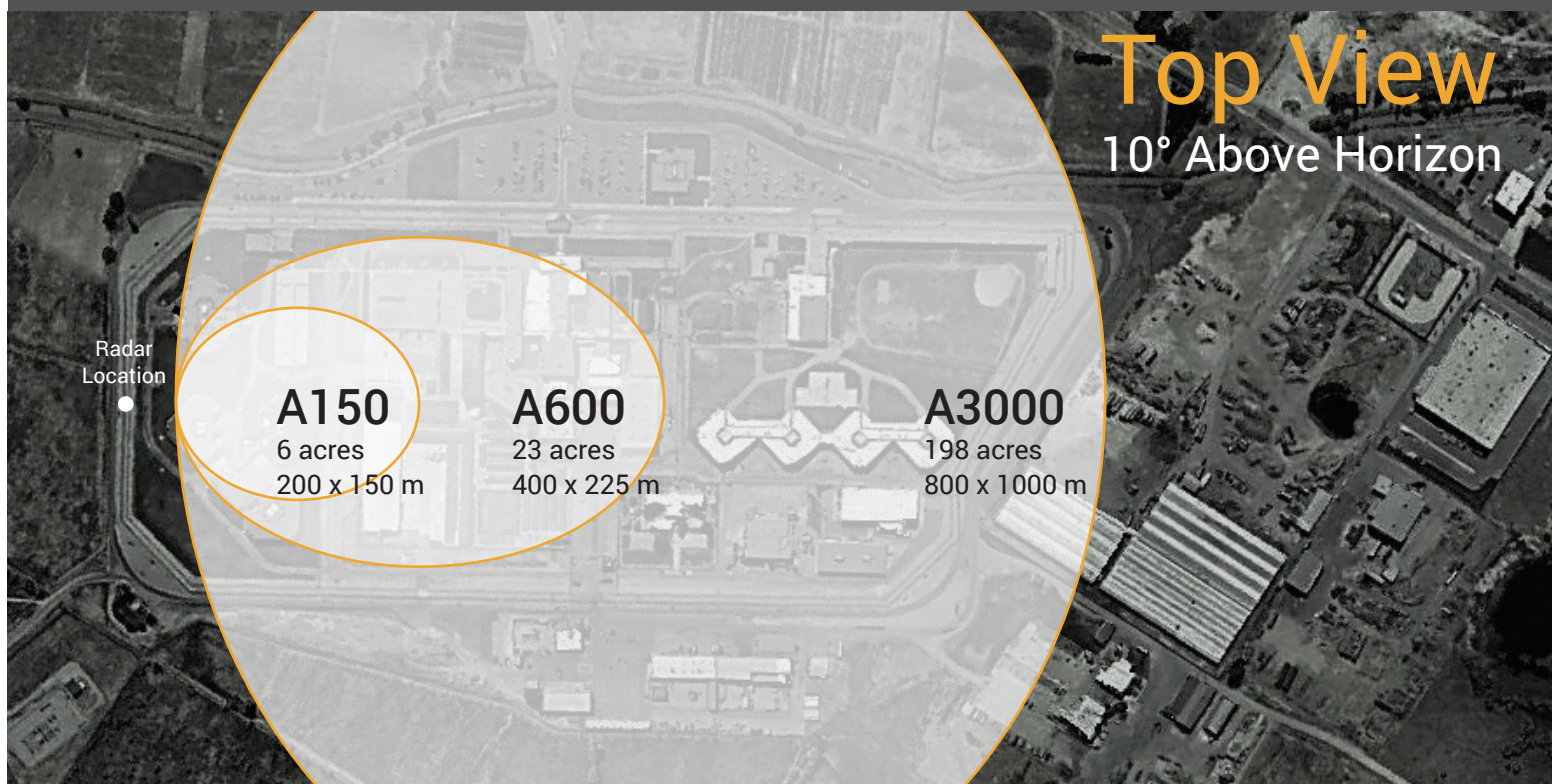
A-Series

Our solid state counter UAS radars can detect a small DJI drone in wide areas and complex urban environments. They can be easily installed on almost any existing infrastructure and be used as part of a mobile radar kit.

- Detect, track, and geo-reference every UAS target in real time
- Distinguish between birds and drones based on radar metadata
- Detect and track multiple intrusions at once
- Integrated with PTZ cameras and deterrent systems such as frequency jammers



RADAR COVERAGE COMPARISON

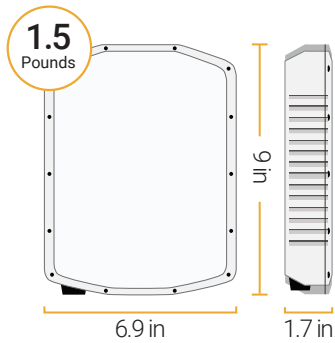


FOR MORE INFORMATION CONTACT:
sales@spotterrf.com
801-742-5849
spotterrf.com

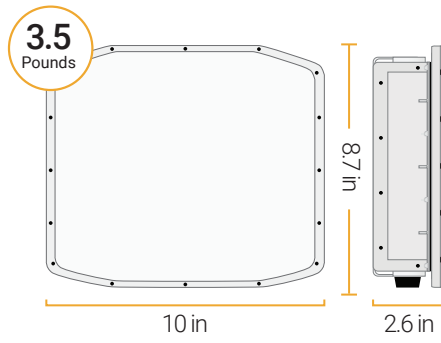
Protection Beyond Fences



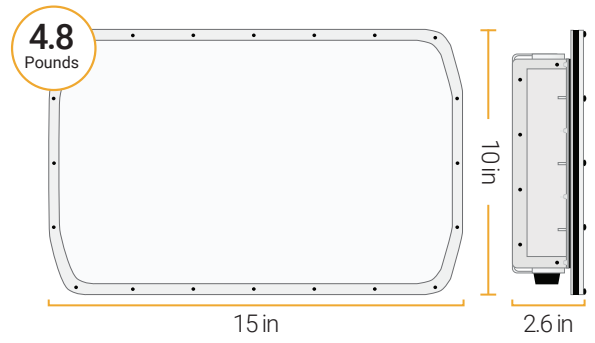
Protection Beyond Fences



A150 Dimensions

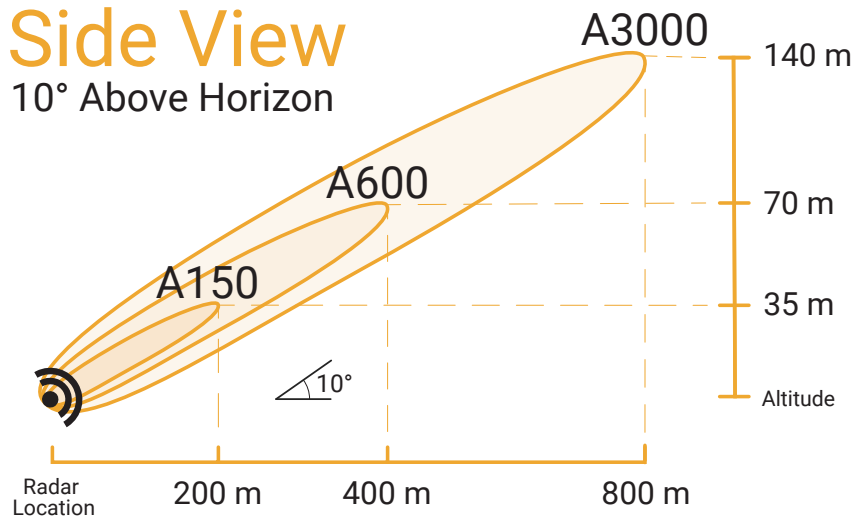


A600 Dimensions



A3000 Dimensions

Side View 10° Above Horizon



General Specifications

Scan Rate	Up to 8 times per second
Update Rate	Up to 8 times per second
Output Data	GPS coordinates, velocity, RCS, range, angle, time, and duration of moving targets
Output Protocol (Platform)	JSON, XML, KML, Google Earth, NetworkIO
Interface	Ethernet (Web UI or API)
Physical Interface	Passive PoE through IP67, RJ45 connector, 10/100 Mbps, Overvoltage, Short Circuit and reverse voltage protection
Rugged/Waterproof	IP67/NEMA 6P compliant
Setup Time	10 minutes using Web UI
Angular Accuracy	±3 degrees
Range Resolution	3.75 m

A-Series 10–10.6 GHz FCC Certified

	A150	A600	A3000
Power	5-9 W @ 12-30 VDC	8-13 W @ 12-30 VDC	20-24 W @ 18-30 VDC
Vertical FOV	15°	15°	15°
Horizontal FOV	90°	90°	90°
Max Range	200 meters	400 meters	800 meters
Max Altitude	35 meters	70 meters	140 meters
Max Range	170 meters	345 meters	700 meters
Max Altitude	100 meters	200 meters	400 meters
Max Range	140 meters	280 meters	565 meters
Max Altitude	140 meters	280 meters	565 meters

FOR MORE INFORMATION CONTACT:
sales@spotterrf.com
 801-742-5849
spotterrf.com



MADE IN USA ©2019 SPOTTERRF 09.04.19 REV002